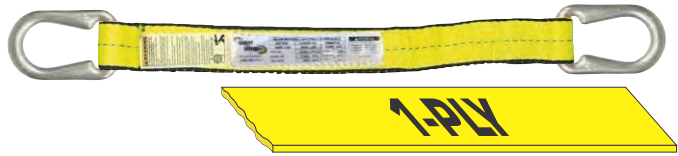


Unilink® Steel Triangle-Choker Slings

Basket/Choker Hardware Web Slings

Type UU

Single Ply Unilink® Slings



Material Width	Stock Code	Working Load Limit [lbs]					Min Length	Weight	
		Vertical 90°	120° Choke	90° Basket	60° Basket	45° Basket		10ft Sling	per ft
[in]							[ft]		
2"	UU1 902	3,100	2,450	6,200	5,350	4,350	3	4.54	0.11
3"	UU1 903	4,700	3,750	9,400	8,100	6,600	3	8.49	0.18
4"	UU1 904	6,200	4,950	12,400	10,700	8,750	4	12.62	0.22



Double Ply Unilink® Slings

Material Width	Stock Code	Working Load Limit [lbs]					Min Length	Weight	
		Vertical 90°	120° Choke	90° Basket	60° Basket	45° Basket		10ft Sling	per ft
[in]							[ft]		
2"	UU2 902	6,200	4,950	12,400	10,700	8,750	3	7.00	0.22
3"	UU2 903	8,600	7,000	17,600	15,200	12,400	3	12.36	0.35
4"	UU2 904	11,000	8,800	22,000	19,050	15,550	3	17.46	0.44

Unilink® Combination Triangle/Choker

Steel Triangles for Web Slings

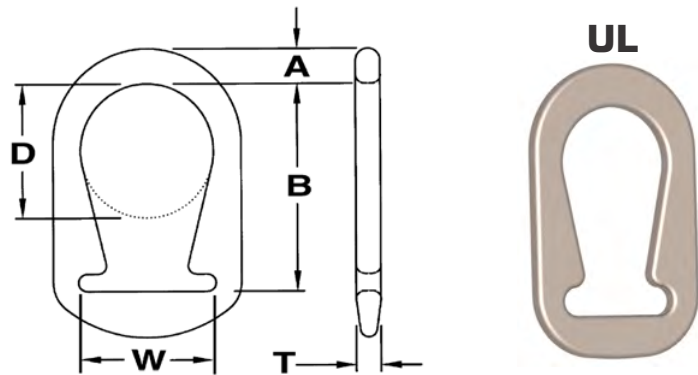
Product details

Application

- Unilink® design keeps sling material in place, reducing wear and increasing sling life.

Features and benefits

- Forged steel, Web-Trap® design.
- Large crane hook opening for easier rigging.
- Functions as both triangle and choker.
- Plated for corrosion resistance.
- Use with one or two ply web slings.
- Complies with ASME B30.9 sling capacities.



Model Number	Rated Capacity	Dimensions [in]						Weight
		[lbs]	A	B	C	D	T	
Unilink® Combination Choker Triangles (UL)								
UL2	8,000	11/16	3-11/16	-	2	9/16	2	1.1
UL3	8,600	7/8	5-1/16	-	3	5/8	3	2.4
UL4	11,500	3/4	6-3/16	-	4	5/8	4	4



NEVER EXCEED THE WORKING LOAD LIMIT.
 ALWAYS CHECK THE IDENTIFICATION TAG TO DETERMINE THE SLINGS RATED CAPACITY IS APPROPRIATE FOR THE APPLICATION. RATINGS LISTED ARE VALID FOR NEW SLINGS ONLY. ALWAYS INSPECT BEFORE USE

Sling Protection
 Web Slings
 Round Slings
 Synthetic Chain Slings
 Wire Rope Slings
 Chain Slings
 Shackles & Turnbuckles
 Hooks & Links
 Lifting Points
 Hoists & Blocks
 Lifting Devices
 Pipe & Hose Restraints
 Tie Down Assemblies
 Tie Down Accessories
 Towing & Recovery
 Rope & Cordage